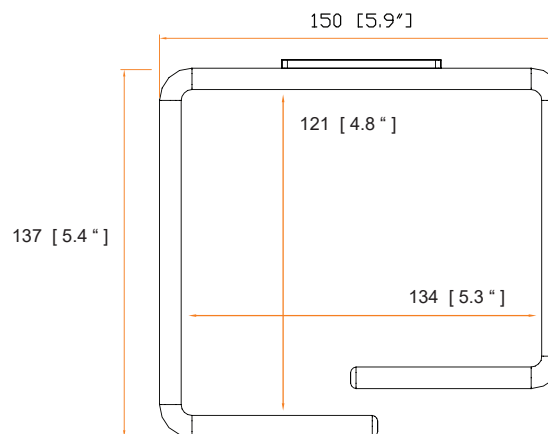
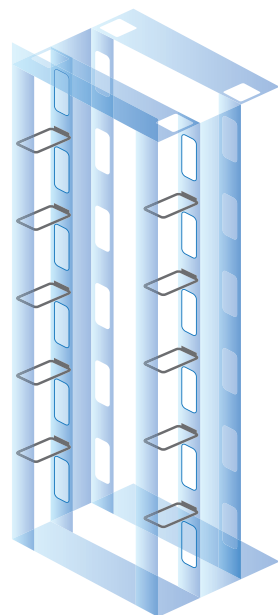


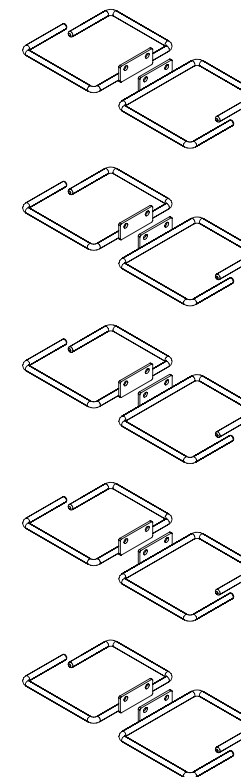
**■ Cable Ring for CR-842 / CR-847 rack, pack of 10**

- Size : 150 x 137 mm
- For 800 wide CR rack
- Rigid structure
- Material : Steel

**Part no. : CMR-800P**



**Hardware set :** Cable ring x 10  
M6 screw & nut x 20



unit : mm / in.

The company reserves the right to modify product specifications without prior notice and assumes no responsibility for any error which may appear in this publication.

Copyright 2020 Austin Hughes Electronics Ltd. All rights reserved.



**Design. Manufacturing. Global Services.**

Material : Steel  
Hardware set : M6 screw & nut x 20  
Color : Black ( RAL - 9005 )  
Gross weight : - kg / - lb  
Environmental : RoHS3 & REACH compliant by SGS



**REACH**