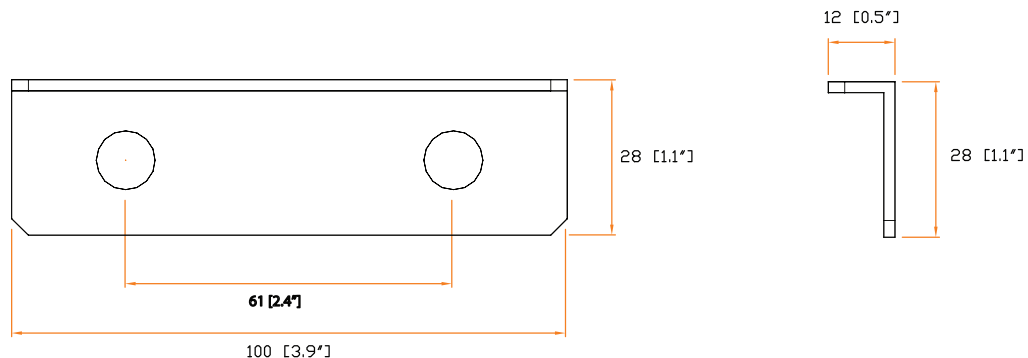


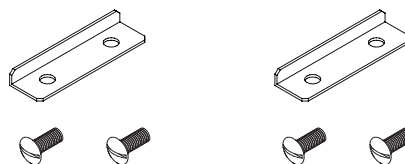
■ Top baying bracket for SR Rack

- Set of 2
- Part no. : BK-M10



unit : mm / in.

Hardware set : Bracket plate x 2
M10*15mm Screw x 4



The company reserves the right to modify product specifications without prior notice and assumes no responsibility for any error which may appear in this publication.

Copyright 2020 Austin Hughes Electronics Ltd. All rights reserved.



Design. Manufacturing. Global Services.

Material : Steel
Hardware : Bracket x 2 with M10 screw x 4
Color : Black (RAL-9005) or White (RAL-9016)
Gross weight : - kg / - lb
Environmental : RoHS3 & REACH compliant by SGS



REACH