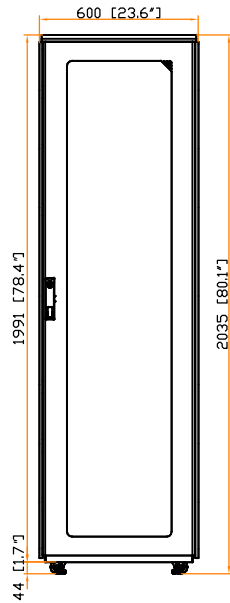
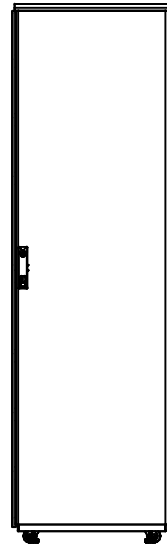


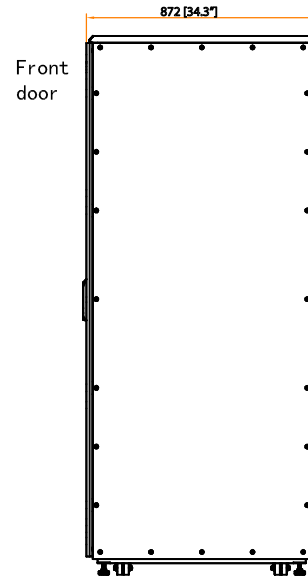
Front view



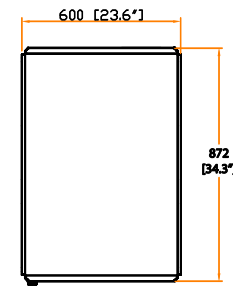
Rear view



Side view

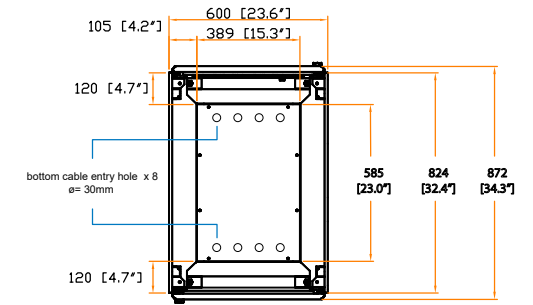


Top view



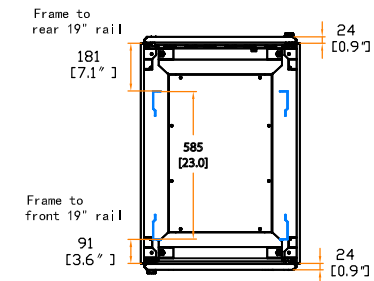
Front door

Bottom view



Front door

19" rail position



Front door

Unit : mm [inch]



The company reserves the right to modify product specifications without prior notice and assumes no responsibility for any error which may appear in this publication.

Copyright 2020 Austin Hughes Electronics Ltd. All rights reserved.

Dimension (Overall) : 600 (W) x 872 (D) x 2035 (H) mm
23.6 (W) x 34.3 (D) x 80.1 (H) inch

Dimension (Effective) : 593 (W) x 827 (D) x 1868 (H) mm
23.3 (W) x 32.6 (D) x 73.5 (H) inch

Net Weight : 179 kg / 393.8lb

Color : White (RAL-9016)

Static Loading : 1500 kg / 3300 lb

Environmental : RoHS3 & REACH compliant by SGS