

## User Manual

### CV-S101 Combo KVM Extender



751

Designed and manufactured by Austin Hughes

## Legal Information

First English printing, October 2002

Information in this document has been carefully checked for accuracy; however, no guarantee is given to the correctness of the contents. The information in this document is subject to change without notice. We are not liable for any injury or loss that results from the use of this equipment.

## Safety Instructions

**Please read all of these instructions carefully before you use the device. Save this manual for future reference.**

- Unplug equipment before cleaning. Don't use liquid or spray detergent; use a moist cloth.
- Keep equipment away from excessive humidity and heat. Preferably, keep it in an air-conditioned environment with temperatures not exceeding 40° Celsius (104° Fahrenheit).
- When installing, place the equipment on a sturdy, level surface to prevent it from accidentally falling and causing damage to other equipment or injury to persons nearby.
- When the equipment is in an open position, do not cover, block or in any way obstruct the gap between it and the power supply. Proper air convection is necessary to keep it from overheating.
- Arrange the equipment's power cord in such a way that others won't trip or fall over it.
- If you are using a power cord that didn't ship with the equipment, ensure that it is rated for the voltage and current labeled on the equipment's electrical ratings label. The voltage rating on the cord should be higher than the one listed on the equipment's ratings label.
- Observe all precautions and warnings attached to the equipment.
- If you don't intend on using the equipment for a long time, disconnect it from the power outlet to prevent being damaged by transient over-voltage.
- Keep all liquids away from the equipment to minimize the risk of accidental spillage. Liquid spilled on to the power supply or on other hardware may cause damage, fire or electrical shock.
- Only qualified service personnel should open the chassis. Opening it yourself could damage the equipment and invalidate its warranty.
- If any part of the equipment becomes damaged or stops functioning, have it checked by qualified service personnel.

## What the warranty does not cover

- Any product, on which the serial number has been defaced, modified or removed.
- Damage, deterioration or malfunction resulting from:
  - Accident, misuse, neglect, fire, water, lightning, or other acts of nature, unauthorized product modification, or failure to follow instructions supplied with the product.
  - Repair or attempted repair by anyone not authorized by us.
  - Any damage of the product due to shipment.
  - Removal or installation of the product.
  - Causes external to the product, such as electric power fluctuation or failure.
  - Use of supplies or parts not meeting our specifications.
  - Normal wear and tear.
  - Any other causes which does not relate to a product defect.
- Removal, installation, and set-up service charges.

## Regulatory Notices Federal Communications Commission (FCC)

This equipment has been tested and found to comply with the limits for a Class B digital device, pursuant to Part 15 of the FCC rules. These limits are designed to provide reasonable protection against harmful interference in a residential installation.

Any changes or modifications made to this equipment may void the user's authority to operate this equipment. This equipment generates, uses, and can radiate radio frequency energy and, if not installed and used in accordance with the instructions, may cause harmful interference to radio communications.

However, there is no guarantee that interference will not occur in a particular installation. If this equipment does cause harmful interference to radio or television reception, which can be determined by turning the equipment off and on, the user is encouraged to try to correct the interference by one or more of the following measures:

- Re-position or relocate the receiving antenna.
- Increase the separation between the equipment and receiver.
- Connect the equipment into an outlet on a circuit different from that to which the receiver is connected.

# Contents

## < Part. 1 > CV-S101

1.1	Package Contents	P.1
1.2	Transmitter	P.2
1.3	Receiver	P.3

## < Part. 2 > Application

2.1	Extending the KVM console port to 150 meters	P.4
2.2	Extending the computer to KVM port to 150 meters	P.5
2.3	Extending the computer up to 150 meters	P.6

## < Part. 3 > Keyboard Hotkey Command P.7

## Before Installation

- It is very important to mount the equipment in a suitable cabinet or on a stable surface.
- Make sure the place has a good ventilation, is out of direct sunlight, away from sources of excessive dust, dirt, heat, water, moisture and vibration.

## Unpacking

The equipment comes with the standard parts shown in package content. Check and make sure they are included and in good condition. If anything is missing, or damaged, contact the supplier immediately.

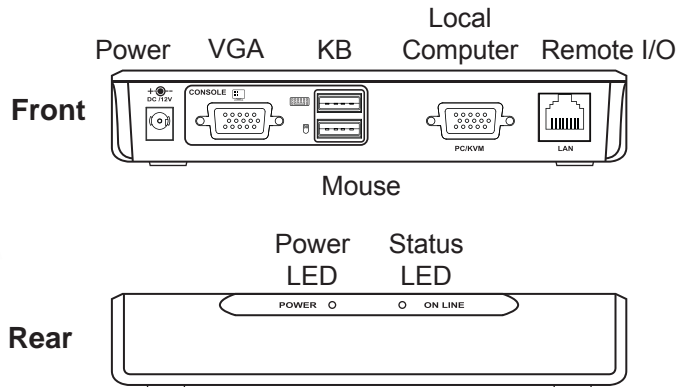
### < Part 1 >

CV-S101

### < 1.1 > Package Contents



Model	Packing Dimension (W x D x H)	Gross Weight
CV-S101	317 x 210 x 107 mm 12.5 x 8.3 x 4.2"	1.25 kg 2.8 lb



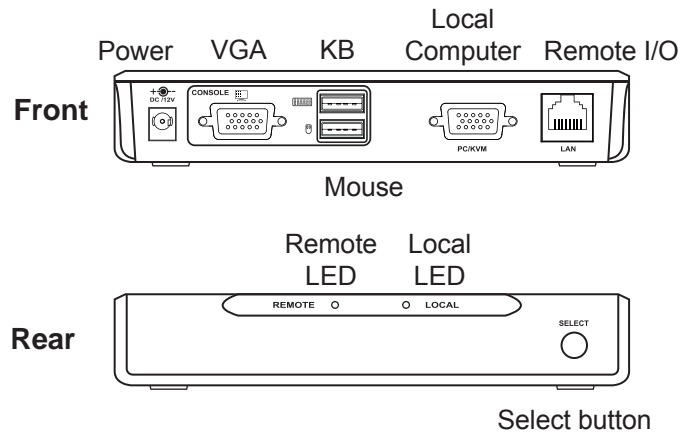
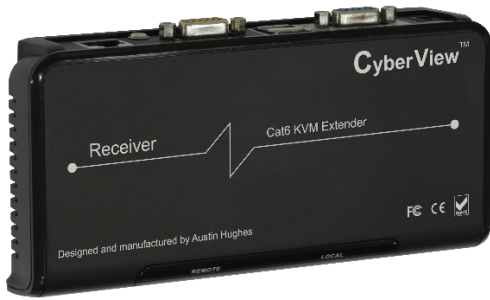
LED	Status	Description
POWER	Solid Blue	Power is on ( from the local computer or power adapter )
	No Light	There is no Power
ON LINE	Solid Green	The connection to Receiver is active
	Flashing Green	Transmitter is sending or receiving data, or auto-adjusting the signal
	No Light	No connection established

**Transmitter Specification**

<b>Console Port</b>	1 x DB-15 VGA, up to 1920 x 1440 2 x USB connector for KB & mouse
<b>Remote I / O</b>	1 x RJ-45 port, connect the Receiver up to 1280 x 1024 resolution ( 150 meters )
<b>Local computer</b>	1 x DB-15 combo KVM port
<b>LED</b>	Power ( blue ) & On Line ( green )
<b>Power Input</b>	From attached local computer or optional 12V power adapter
<b>Power Consumption</b>	Max. 9W
<b>Operating Temperature</b>	0 to 55°C degree
<b>Storage Temperature</b>	-20 to 60°C degree
<b>Operating Humidity</b>	20~90%, non-condensing
<b>Storage Humidity</b>	5 ~90%, non-condensing
<b>Operating Altitude</b>	16,000 ft
<b>Non-operating Altitude</b>	40,000 ft
<b>Shock</b>	10G acceleration ( 11ms duration )
<b>Vibration</b>	5~500Hz 1G RMS random
<b>Dimension ( W x D x H )</b>	165 x 85 x 32 mm
<b>Weight</b>	200g
<b>Safety</b>	FCC & CE certified
<b>Environmental</b>	RoHS2 compliant

## < 1.3 > Receiver

CV-S101



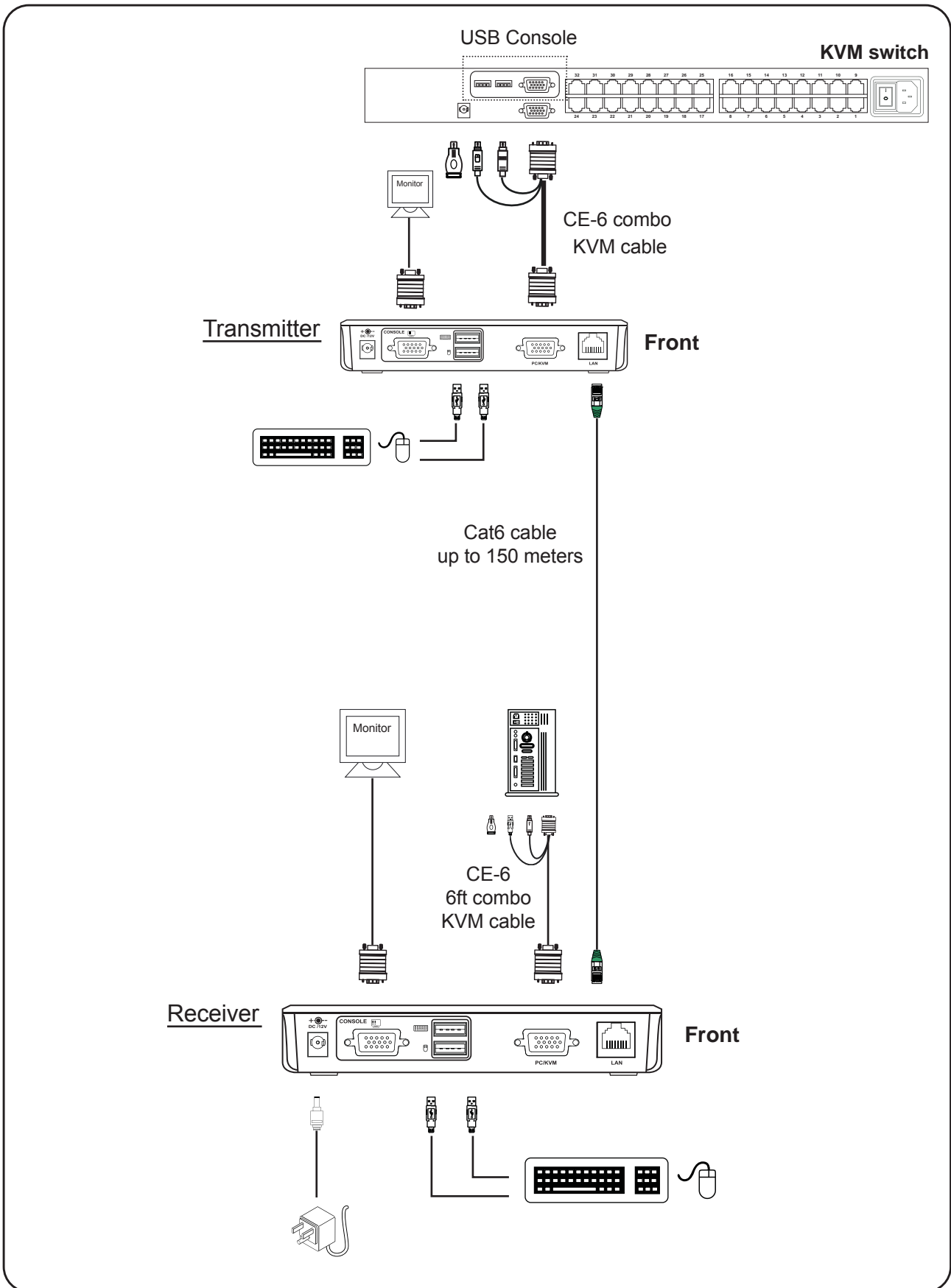
LED	Status	Description
REMOTE	Solid Green	Remote port is connected to the Transmitter
	Solid Red	Remote port is selected
	Flashing Red	Remote port is selected but no connection established or auto-adjusting the signal
	No Light	Remote port is not connected or the power is OFF
LOCAL	Solid Green	Local port is connected to the local PC / KVM
	Solid Red	Local port is selected
	Flashing Red	Local port ( PC / KVM ) is selected but no PC signal is detected
	No Light	Local port is not connected or the power is OFF

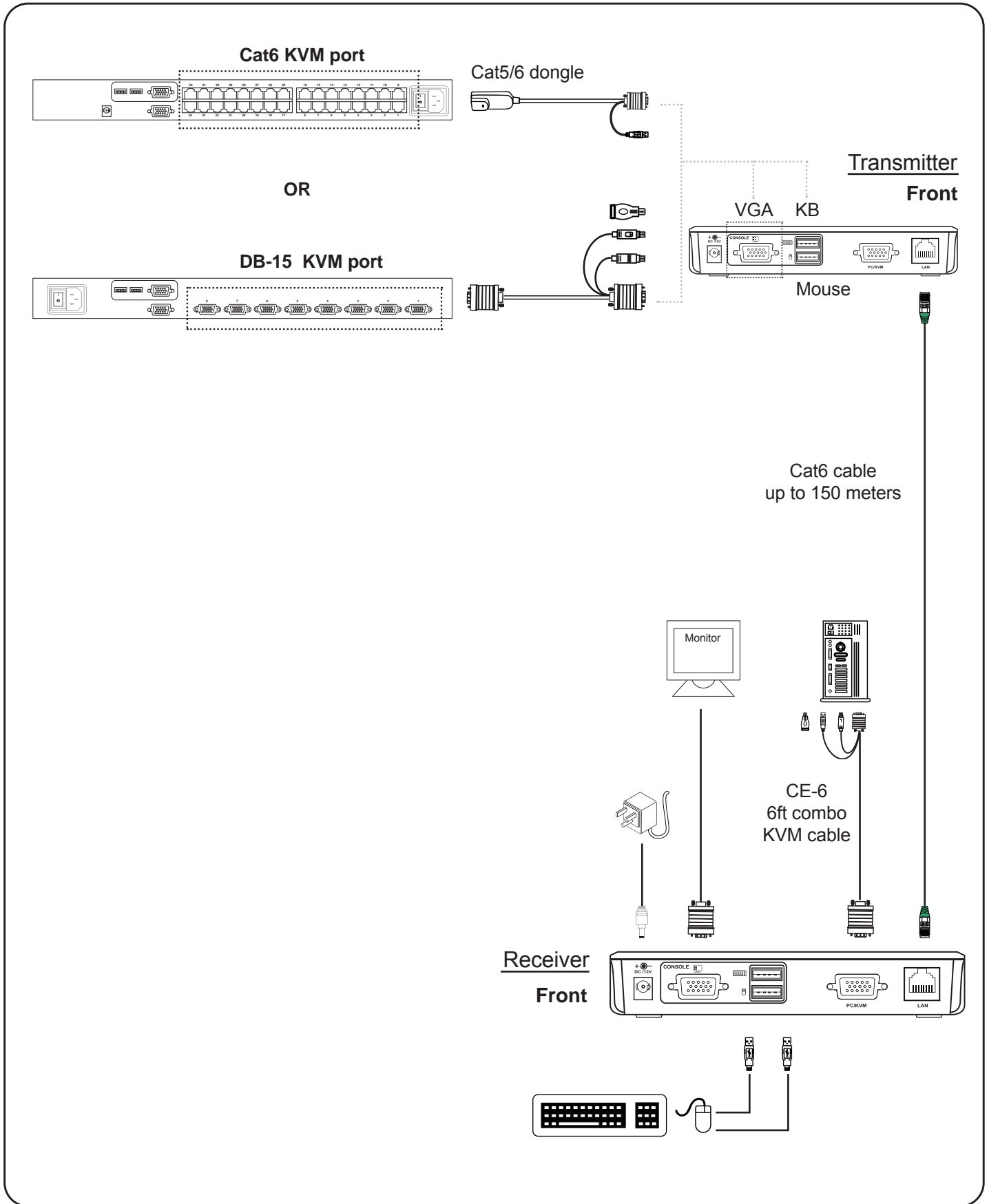
Button	Description
SELECT	Switch between REMOTE ( Transmitter ) and LOCAL ( Receiver )

### Receiver Specification

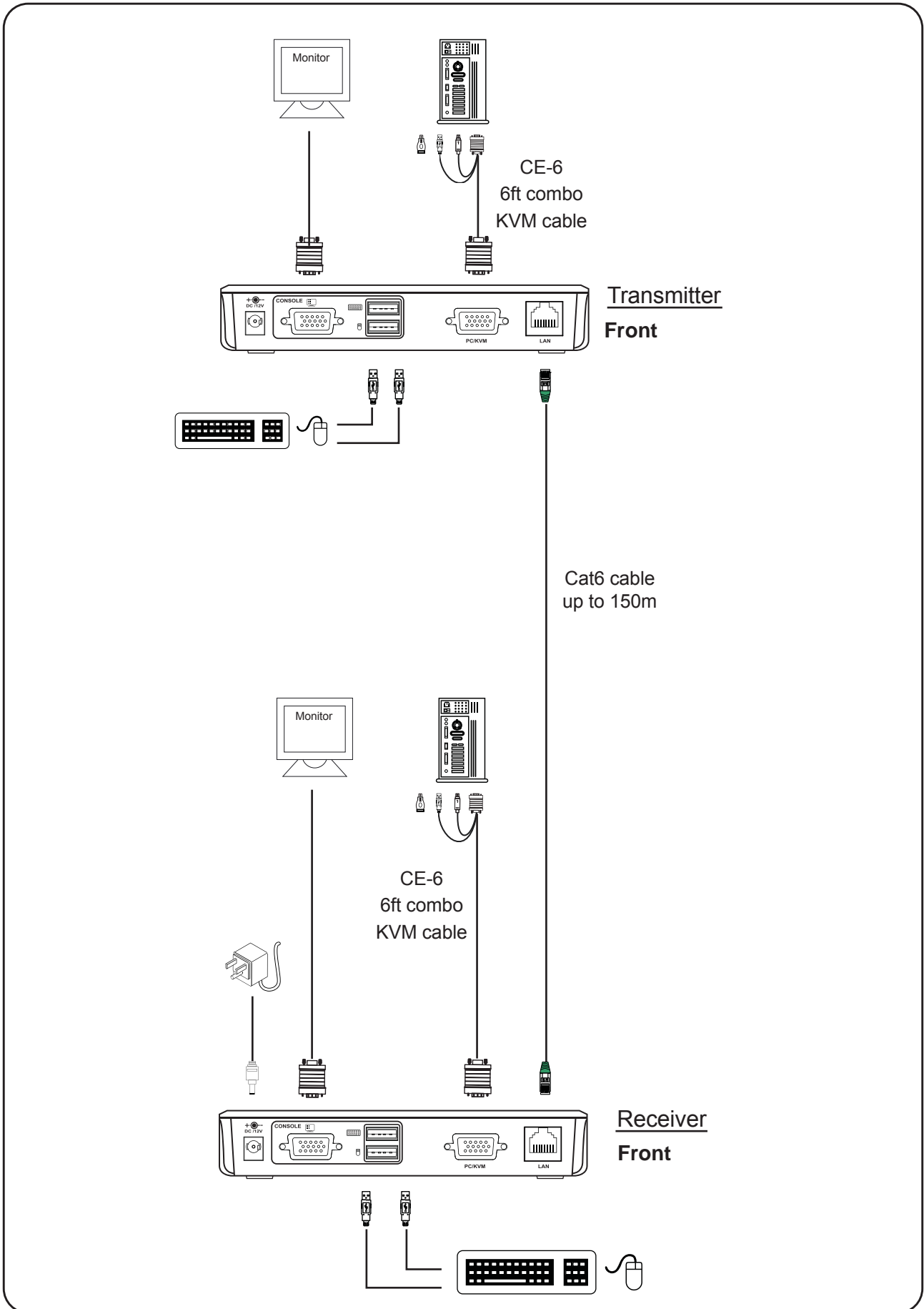
Console Port	1 x DB-15 VGA, up to 1920 x 1440 2 x USB connector for KB & mouse
Remote I / O	1 x RJ-45 port, connect the Transmitter up to 1280 x 1024 resolution ( 150 meters )
Local computer	1 x DB-15 combo KVM port
LED	Local ( green / red ) & Remote ( green / red )
Power Input	12V power adapter
Power Consumption	Max. 9W
Operating Temperature	0 to 55°C degree
Storage Temperature	-20 to 60°C degree
Operating Humidity	20~90%, non-condensing
Storage Humidity	5 ~90%, non-condensing
Operating Altitude	16,000 ft
Non-operating Altitude	40,000 ft
Shock	10G acceleration ( 11ms duration )
Vibration	5~500Hz 1G RMS random
Dimension ( W x D x H )	165 x 85 x 32 mm
Weight	200g
Safety	FCC & CE certified
Environmental	RoHS2 compliant

< 2.1 > Extending the KVM console port to 150 meters









You can switch the Receiver from “LOCAL” to “REMOTE” and vice-versa through simple key sequences made by the remote console side. To send commands to the Receiver, you must press the hotkey (default is Scroll Lock) twice within 2 seconds. You will hear a beep sound confirming you are in the hotkey mode. If you do not press any key during hotkey mode over 2 seconds, the hotkey mode will be terminated and back to normal state.

The default hotkey is Scroll Lock but you can change hotkey as your application convenience.

**Example:**



The table below lists all the supported hotkey commands.

Command	Function
C	To switch between Local and Remote ports
Q	To turn the beep sound on or off
S	To activate the Auto-Scan function. Auto-scan Remote and Local port every 8 seconds repeatedly.
A	For auto-adjust video signal of remote port to optimum



The company reserves the right to modify product specifications without prior notice and assumes no responsibility for any error which may appear in this publication.

All brand names, logo and registered trademarks are properties of their respective owners.

Copyright 2016 Austin Hughes Electronics Ltd. All rights reserved.