



### Key Benefits

- ▶ 2U 22" short depth design
- ▶ Light weight only 42.7 lbs / 19.4 kgs
- ▶ Rugged construction for mobility & durability
- ▶ Built-in solid bearing slide rails
- ▶ Built-in dual stereo speaker ( per display )
- ▶ Five LED backlit display selections ( 4K, WUXGA, FHD 60Hz, FHD 144Hz, 4:3 )
- ▶ DVI-D + VGA video input for FHD & 4:3 ( per display )
- ▶ HDMI 1.4 + DVI-D + VGA for WUXGA ( per display )
- ▶ Display port 1.2 video input for 4K ( per display )
- ▶ Fits 24" ~ 36" rack via adjustable mounting brackets
- ▶ 2-year standard warranty ( upgradable up to 5 years )

### Options

- DC power : 12V / 24V / 48V / 125V
- 3G / HD / SD-SDI Broadcast-grade input
- Sunlight readable LCD for 17" FHD & 19" 4:3
- Touchscreen
- HDMI video input

The MRP 2U dual or triple display drawer is designed for Command and Control Systems which demand quick deployment for multi-faceted displays.

2U 22" depth platform allows for small size and transit case portability. To ensure chassis ruggedness, mobility and quality, as well as being suitable for harsh environment applications, the MRP drawer is meticulously constructed by a team of experts in our own CNC facilities for such applications.

The key benefit of the MRP series is the choice of different resolution panels available, including 4K 17", WUXGA 16.2", FHD 17" 60Hz, FHD 17" 144Hz, 19" 4:3 LED backlit displays. Sunlight Readable FHD 17" LCD is also available. 4K 17" displays satisfy the increasing demand for superior graphics and image clarity.

### Models

LH mounted



RH mounted



Resolution	Refresh Rate	LH mounted	Center	RH mounted
17" <b>4K</b> LED		MRP-K17-2L	MRP-K17-3	MRP-K17-2R
17" <b>1080p</b>	<b>60 Hz</b>	MRP-F17-2L	MRP-F17-3	MRP-F17-2R
17" <b>1080p</b>	<b>144 Hz</b>	MRP-MF17-2L	MRP-MF17-3	MRP-MF17-2R
16.2" <b>1920</b>	<b>1200</b>	MRP-X17-2L	MRP-X17-3	MRP-X17-2R
19" <b>1280</b>	<b>1024</b>	MRP-19-2L	MRP-19-3	MRP-19-2R

## Product Specifications

LCD Panel	MRP-K17	MRP-MF17	MRP-F17	MRP-X17	MRP-19
Native resolution	3840 x 2160	1920 x 1080	1920 x 1080	1920 x 1200	1280 x 1024
Panel size (diagonal)	17.3"	17.3"	17.3"	16.2"	19"
Refresh rate (Hz)	60	144	60	60	60 / 75
Standard Brightness (cd/m <sup>2</sup> )	300	300	300	300	250
High Brightness (cd/m <sup>2</sup> ) - Option	/	/	1000	/	1000
Contrast ratio (typ.)	1000 : 1	800 : 1	1000 : 1	800 : 1	1000 : 1
Colors	16.7 M, 8-bit	16.7 M	16.7 M, 8-bit	16.7 M, 8-bit	16.7 M
Viewing angle (L/R/U/D)	89/89/89/89	85/85/85/85	89/89/89/89	89/89/89/89	85/85/80/80
Response time (ms)	Max. 16	9	25	30	5
Dot pitch (mm)	0.0995	0.1989	0.1989	0.191	0.294
Display area (mm)	382.12H x 214.94V	381.888H x 214.812V	381.888H x 214.812V	383.8H x 214.9V	337.92H x 270.33V
Surface treatment	Anti-glare	Anti-glare	Anti-glare, Hard-coating	Anti-glare, Hard-coating	Haze 25%, Hard-coating
Surface hardness	3H				
Backlight type	LED				
MTBF (hrs)	20,000	15,000	15,000	20,000	30,000

Video	MRP-K17	MRP-MF17	MRP-F17	MRP-X17	MRP-19
Package	DP 1.2 / HDCP 1.3	DVI-D + VGA		DVI-D + VGA	DVI-D + VGA
Option	HDMI 2.0 / HDCP 2.2	HDMI 1.4 / HDCP 1.4 or DP 1.0 / HDCP 1.3		HDMI 1.4 / HDCP 1.4	HDMI 1.2 / HDCP 1.1

## Capacitive Touch screen Option

	MRP-K17	MRP-MF17	MRP-F17	MRP-X17	MRP-19
Technology	Projected Capacitive				Capacitive
Touch Point	10 point touch standard				Single
Input Type	Finger or Capacitive Stylus				Finger
Resolution	4096 x 4096				2048 x 2048
Touch Point Accuracy	± 2 mm				-
Response Speed	< 5 ms				20 ms
Activation Force	< 5 g				≤ 50 g
Surface Hardness	6H				9H
Light Transmission	> 85%				92% ± 2%
Haze	3%↓				7%
Durability	50 million touches				300 million touches
Top Layer	1.8 mm Glass				Glass
Bottom Layer	0.7 mm Sensor Glass				
Thickness	2.7 mm ± 0.1 mm				2.8 mm ± 10%
Connector	USB				USB Type A
Compatibility	Windows 7 / XP / Linux / Mac				

## Resistive Touch screen Option

	MRP-K17	MRP-MF17	MRP-F17	MRP-X17	MRP-19
Technology	5-Wire Resistive				
Touch Point	Single				
Input Type	Finger or Stylus				
Resolution	2048 x 2048				
Response Speed	15 ms				
Activation Force	≤ 50 g				
Surface Hardness	3H				
Light Transmission	80% ± 3%				
Haze	8% ± 3%				
Durability	10 million touches				
Top Layer	ITO Film				
Bottom Layer	ITO Glass				
Thickness	3.2 ± 0.2 mm		2.2 ± 0.2 mm	3.2 ± 0.2 mm	2.2 ± 0.2 mm
Connector	USB Type A				
Compatibility	Windows 7 / XP / Linux / Mac				

## Product Specifications

Power		MRP-K17	MRP-MF17	MRP-F17	MRP-X17	MRP-19
Input		Auto-sensing 100 to 240VAC, 50 / 60Hz				
Consumption per panel	Screen on	Max. 29W	Max. 25W	Max. 15W	Max. 25W	
	Power saving	Max. 9W	Max. 4W			
	Power button off	Max. 2W	Max. 1W			

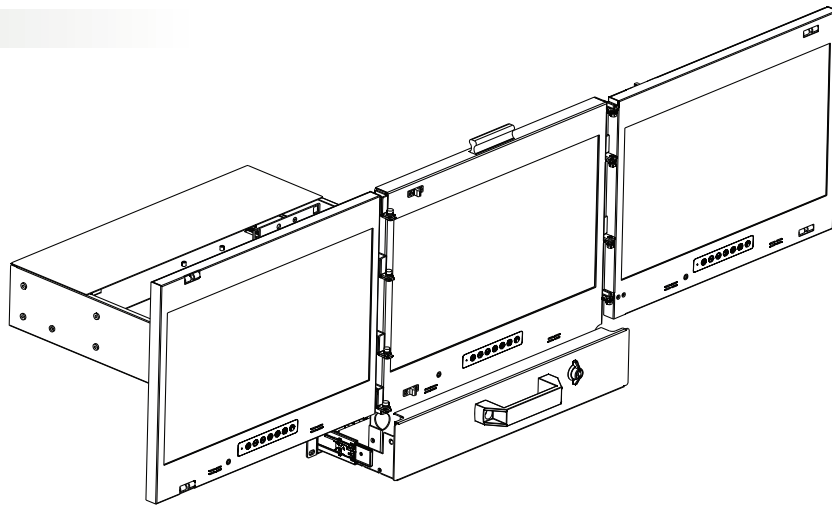
Physical			
Product (W x D x H)	MRP-K17 / MRP-X17 / MRP-F17 / MRP-MF17	mm inch	441.6 x 550 x 88 17.4 x 21.7 x 3.5
	MRP-19	mm inch	441.6 x 600 x 88 22.8 x 23.6 x 7.8
Packing (W x D x H)		mm inch	580 x 683 x 197 22.8 x 26.9 x 7.8
Net Weight	MRP-K17 / MRP-X17 / MRP-F17 / MRP-MF17	Triple display Dual display	24.1 kg / 53 lb 19.4 kg / 42.7 lb
	MRP-19	Triple display Dual display	25.1 kg / 55.2 lb 20.4 kg / 44.9 lb
Gross Weight	MRP-K17 / MRP-X17 / MRP-F17 / MRP-MF17	Triple display Dual display	29.3 kg / 64.5 lb 24.2 kg / 53.2 lb
	MRP-19	Triple display	30.3 kg / 66.7 lb
		Dual display	25.2 kg / 55.4 lb
Chassis color		Dark	
Chassis materials		Steel	

\* All dimensions stated are subject to change if options are selected / integrated to base model part codes

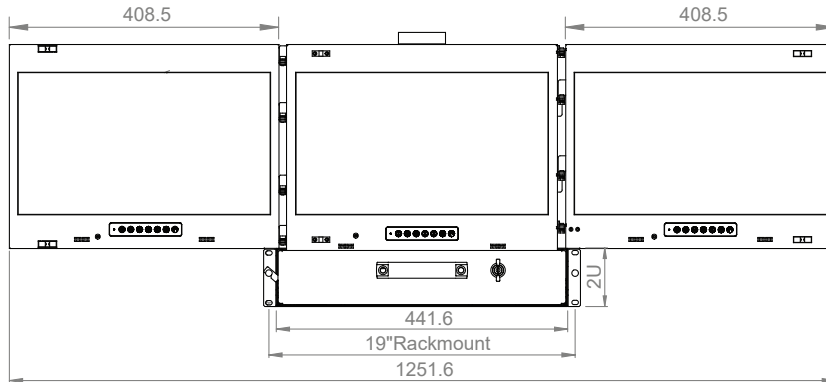
Compliance	
EMC	FCC & CE certified
Safety	CE / LVD certified
Environment	RoHS2 & REACH compliant

Environment	
Operating temp.	0 to 55°C degree
Storage temp.	-20 to 60°C degree
Operating humidity	20~90%, non-condensing
Storage humidity	5 ~90%, non-condensing
Operating altitude	16,000 ft
Non-operating altitude	40,000 ft
Shock	10G acceleration ( 11ms duration )
Vibration	10~300Hz 0.5G RMS random vibration

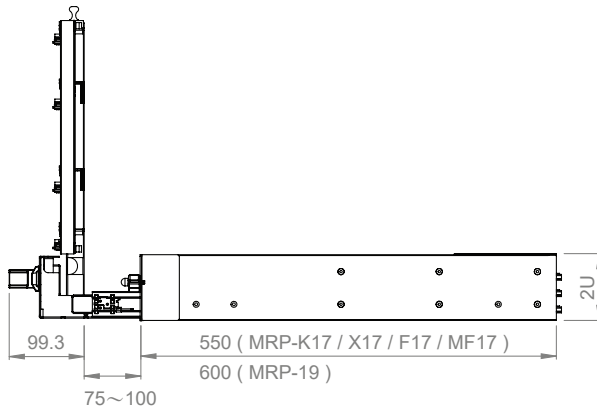
# Diagrams ( mm )



## Front View



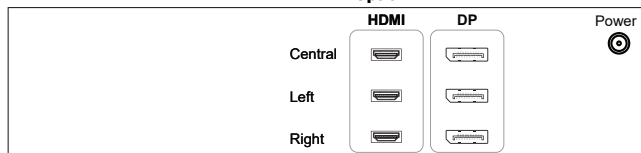
## Side View



## Rear View

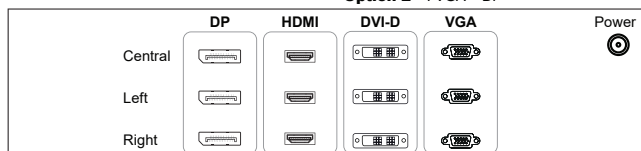
### MRP-K17

**Standard** : DP  
**Option** : DP + HDMI



### MRP-F17 / MRP-MF17

**Standard** : VGA + DVI-D  
**Option 1** : VGA + HDMI  
**Option 2** : VGA + DP



### MRP-X17 / MRP-19

**Standard** : VGA + DVI-D  
**Option** : VGA + HDMI

