

Circuit Protection	Code
Fuse	<b>F</b>
MCB	<b>CR</b>



NEMA L6-30P

30A model :	Circuit Protection
DV48C13-30A-Wi/ <b>F</b> _L630/3 <b>B</b> -1	Resettable Fuse x 4
DV48C13-30A-Wi/ <b>CR</b> _L630/3 <b>T</b> -1	1-pole MCB x 4

Input Rating : 30Amp, 208V  
 Cordset : 10 feet UL SJT 10 AWG cordset  
 Protection : 16A resettable fuse or 16A hydraulic MCB x 4  
 PDU I : < **Circuit A** > Output 12A max., C13 #1-12  
           < **Circuit B** > Output 12A max., C13 #13-24  
 PDU II : < **Circuit A** > Output 12A max., C13 #1-12  
           < **Circuit B** > Output 12A max., C13 #13-24  
 Weight : Net 27.5 lb / Gross 31.9 lb

PDU Feed	Code
Bottom	<b>B</b>
Top	<b>T</b>



NEMA L6-20P

20A model :	Circuit Protection
DV48C13-20A-Wi/ <b>F</b> _L620/3 <b>B</b> -1	Resettable Fuse x 2
DV48C13-20A-Wi/ <b>CR</b> _L620/3 <b>T</b> -1	1-pole MCB x 2

Input Rating : 20Amp, 208V  
 Cordset : 10 feet UL SJT 12 AWG cordset  
 Protection : 20A resettable fuse or 20A hydraulic MCB x 2  
 PDU I : Output 16A max., C13 #1-24  
 PDU II : Output 16A max., C13 #1-24  
 Weight : Net 27.5 lb / Gross 31.9 lb

Operating Temperature : -5 to 60 °C  
 Storage Temperature : -25 to 65 °C  
 Operating Altitude : 0 to 2,000 m  
 Storage Altitude : 0 to 15,000 m  
 Humidity : 8 to 95% RH, non-condensing

### Meter Features ( Wi monitored PDU + Outlet Measurement )

Local Display : Field replaceable 2.8" color LCD with touchscreen  
 Bank Measurement : Current ( A ), Energy ( kWh ), Voltage ( V ) & Power factor  
 Outlet Measurement : Current ( A ), Energy ( kWh )  
 Accuracy : ±1% Billing-grade  
 IP Access : via IP dongle, one IP Access up to 16 PDU Levels  
 Cascade : Up to 16 PDU under single IP address via IP dongle  
 SNMP : V2 / V3 via IP dongle  
 Sensor Port x 2 : Temp. Sensor / Temp. + Humid. Sensor

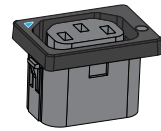
EMC Compliance : FCC Part 15 Subpart B certified  
 Safety Compliance : cTUVus Mark to UL 60950-1:2007/R:2014-10  
                           CAN/CSA-C22.2 No. 60950-1:2007/A2:2014-10  
                           UL 62368-1:2014  
                           CAN/CSA-C22.2 No. 62368-1:2014  
                           UL 60730-1 Ed.5 (2016)

Environment Compliance : RoHS2 & REACH

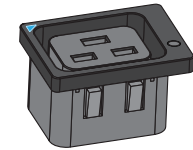
Product Dimension : 3.3 (W) x 3.5 (D) x 65 (H) inch  
 Packing dimension : 4.3 (W) x 10.6 (D) x 80.4 (H) inch

## Lockable IEC Outlet

- Patented design for InfraPower PDU



C13 Outlet



C19 Outlet

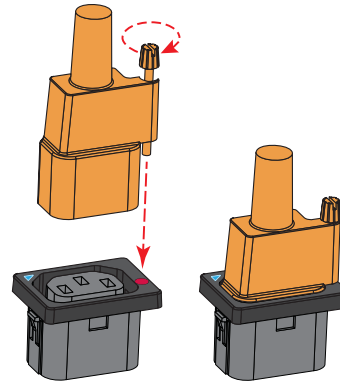
## Lockable IEC Cable

- Patented design of InfraPower PDU
- Low cost, easy to lock & secure
- Proprietary for lockable IEC outlet
- Applicable to standard IEC outlet
- 6 colors & 3 lengths available
- Custom color & length on request
- VDE & ENEC approval

### C13 - C14

H05VV-F 3G 0.75mm<sup>2</sup>

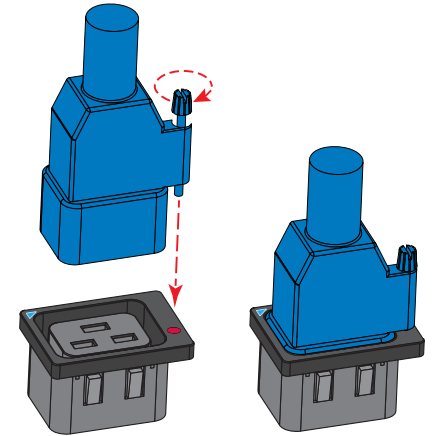
Cable Color	0.5M	1M	2M
Black	✓	✓	✓
Grey	✓	✓	✓
Red	✓	✓	✓
Blue	✓	✓	✓
Green	✓	✓	✓
Orange	✓	✓	✓



### C19 - C20

H05VV-F 3G 1.5mm<sup>2</sup>

Cable Color	1M	2M
Black	✓	✓
Grey	✓	✓
Red	✓	✓
Blue	✓	✓
Green	✓	✓
Orange	✓	✓

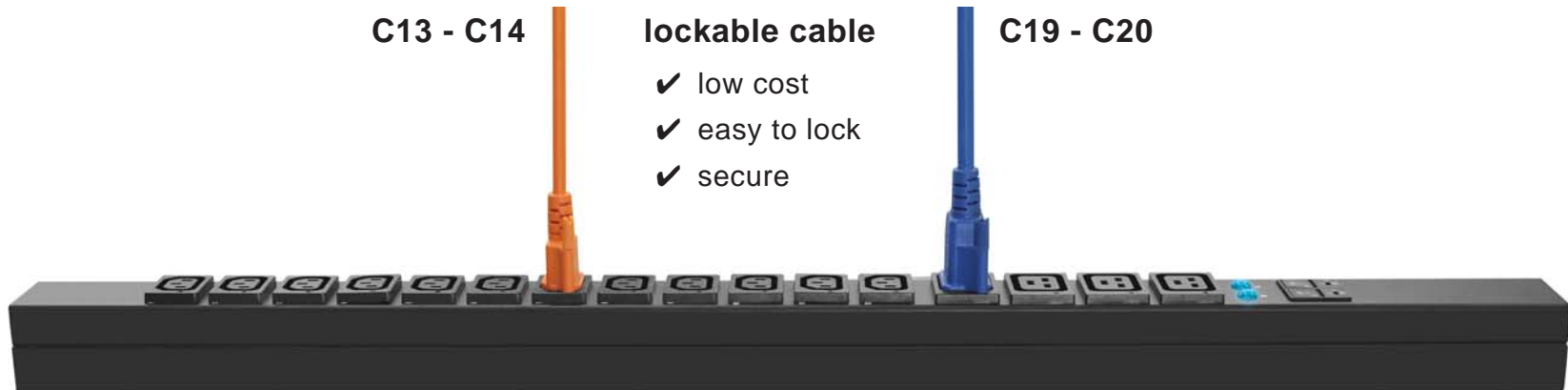


C13 - C14



lockable cable

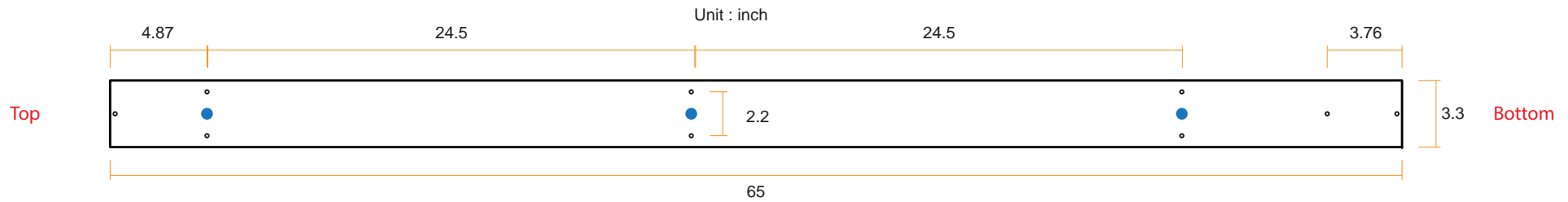
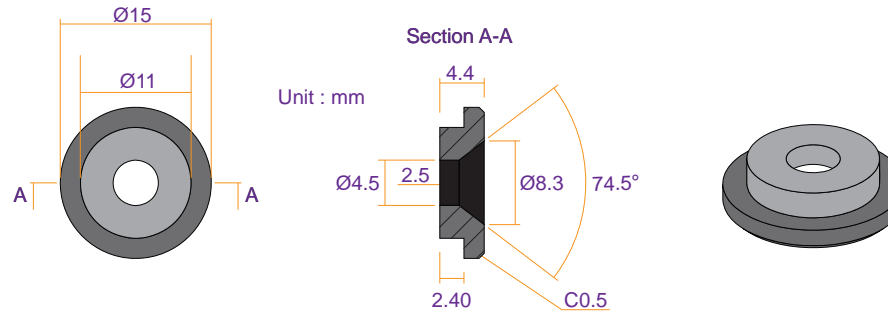
C19 - C20

- ✓ low cost
- ✓ easy to lock
- ✓ secure





### VMS Mounting Button

 x 3 +  x 3  
**M4 Screw**  
 - Flat head  
 - M4x10mm  
**PEG**



### VMB Mounting Bracket

 x 4 +  x 2  
**M3.2 Screw**  
 - Flat head  
 - M3.2x6mm  
**Bracket**

