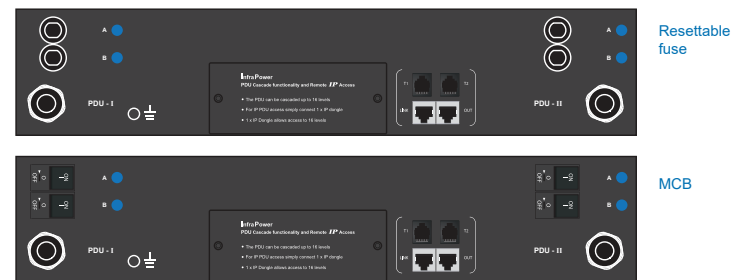


Rear view



Circuit Protection	Code
Fuse	F
MCB	CR



NEMA L6-30P

30A model :	Circuit Protection
DH16C13/4C19-30A-Wi/ F _L630/3B- 1	Resettable Fuse x 4
DH16C13/4C19-30A-Wi/ CR _L630/3B- 1	1-pole MCB x 4

- Input Rating : 30Amp, 208V
- Cordset : 10 feet UL SJT 10 AWG cordset x 2
- Protection : 16A resettable fuse or 16A hydraulic MCB x 4
- PDU I : < **Circuit A** > Output 12A max., C13 #1-4 + C19 #C1
< **Circuit B** > Output 12A max., C13 #5-8 + C19 #C2
- PDU II : < **Circuit A** > Output 12A max., C13 #1-4 + C19 #C1
< **Circuit B** > Output 12A max., C13 #5-8 + C19 #C2
- Weight : Net - lb / Gross - lb

Chassis Color	Code
Black	1
White	2
Red	3
Blue	4
Green	5
Orange	6
Yellow	7
Purple	8



NEMA L6-20P

20A model :	Circuit Protection
DH16C13/4C19-20A-Wi/ F _L620/3B- 1	Resettable Fuse x 2
DH16C13/4C19-20A-Wi/ CR _L620/3B- 1	1-pole MCB x 2

- Input Rating : 20Amp, 208V
- Cordset : 10 feet UL SJT 12 AWG cordset x 2
- Protection : 20A resettable fuse or 20A hydraulic MCB x 2
- PDU I : Output 16A max., C13 #1-8 + C19 #C1-C2
- PDU II : Output 16A max., C13 #1-8 + C19 #C1-C2
- Weight : Net - lb / Gross - lb

- Operating Temperature : -5 to 60 °C
- Storage Temperature : -25 to 65 °C
- Operating Altitude : 0 to 2,000 m
- Storage Altitude : 0 to 15,000 m
- Humidity : 8 to 95% RH, non-condensing

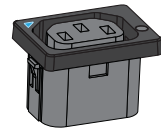
Meter Features (Wi monitored PDU + Outlet Measurement)

- Local Display : Field replaceable 2" color LCD with touchscreen
- Bank Measurement : Current (A), Energy (kWh), Voltage (V) & Power factor
- Outlet Measurement : Current (A), Energy (kWh)
- Accuracy : ±1% Billing-grade
- IP Access : via IP dongle, one IP Access up to 16 PDU Levels
- Cascade : Up to 16 PDU under single IP address via IP dongle
- SNMP : V2 / V3 via IP dongle
- Sensor Port x 2 : Temp. Sensor / Temp. + Humid. Sensor

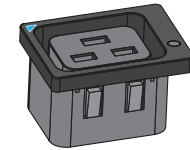
- EMC Compliance : FCC Part 15 Subpart B certified
- Safety Compliance : cTUVus Mark to UL 60950-1:2007/R:2014-10
CAN/CSA-C22.2 No. 60950-1:2007/A2:2014-10
UL 62368-1:2014
CAN/CSA-C22.2 No. 62368-1:2014
UL 60730-1 Ed.5 (2016)
- Environment Compliance : RoHS2 & REACH
- Product Dimension : 17.2 (W) x 15 (D) x 3.5 (H) inch
- Packing dimension : 21.3 (W) x 21.3 (D) x 5.9 (H) inch

Lockable IEC Outlet

- Patented design for InfraPower PDU



C13 Outlet



C19 Outlet

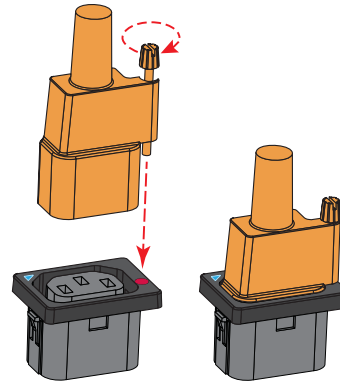
Lockable IEC Cable

- Patented design of InfraPower PDU
- Low cost, easy to lock & secure
- Proprietary for lockable IEC outlet
- Applicable to standard IEC outlet
- 6 colors & 3 lengths available
- Custom color & length on request
- VDE & ENEC approval

C13 - C14

H05VV-F 3G 0.75mm²

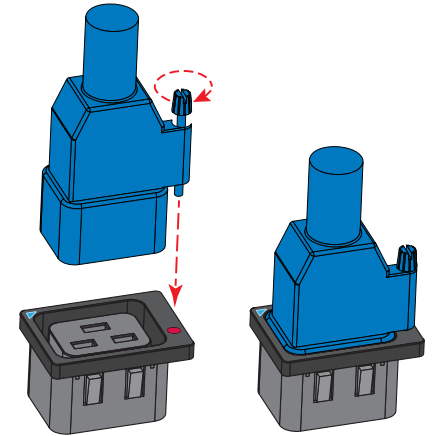
Cable Color	0.5M	1M	2M
Black	✓	✓	✓
Grey	✓	✓	✓
Red	✓	✓	✓
Blue	✓	✓	✓
Green	✓	✓	✓
Orange	✓	✓	✓



C19 - C20

H05VV-F 3G 1.5mm²

Cable Color	1M	2M
Black	✓	✓
Grey	✓	✓
Red	✓	✓
Blue	✓	✓
Green	✓	✓
Orange	✓	✓



C13 - C14

lockable cable

C19 - C20

- ✓ low cost
- ✓ easy to lock
- ✓ secure

