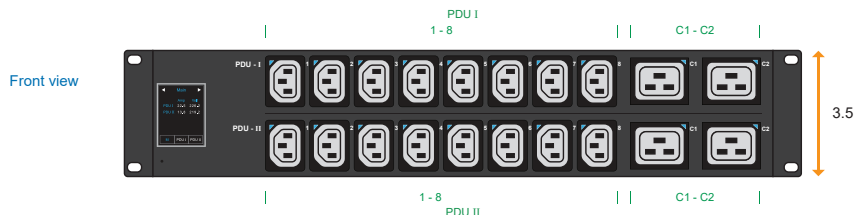


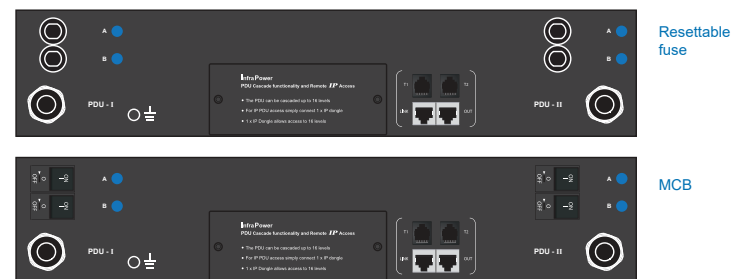
# 1-Phase Dual Feed Switched + Outlet measurement PDU specification drawing

208V 20A / 30A PDU : C13 x 16 + C19 x 4

unit : inch



Rear view



| Circuit Protection | Code      |
|--------------------|-----------|
| Fuse               | <b>F</b>  |
| MCB                | <b>CR</b> |



NEMA L6-30P

| 30A model :  | Circuit Protection  |
|--|---------------------|
| DH16C13/4C19-30A-WSi/ <b>F</b> _L630/3B- <b>1</b>  | Resettable Fuse x 4 |
| DH16C13/4C19-30A-WSi/ <b>CR</b> _L630/3B- <b>1</b> | 1-pole MCB x 4      |

- Input Rating : 30Amp, 208V
- Cordset : 10 feet UL SJT 10 AWG cordset x 2
- Protection : 16A resettable fuse or 16A hydraulic MCB x 4
- PDU I : < **Circuit A** > Output 12A max., C13 #1-4 + C19 #C1  
< **Circuit B** > Output 12A max., C13 #5-8 + C19 #C2
- PDU II : < **Circuit A** > Output 12A max., C13 #1-4 + C19 #C1  
< **Circuit B** > Output 12A max., C13 #5-8 + C19 #C2
- Weight : Net - lb / Gross - lb

| Chassis Color | Code     |
|---------------|----------|
| Black         | <b>1</b> |
| White         | <b>2</b> |
| Red           | <b>3</b> |
| Blue          | <b>4</b> |
| Green         | <b>5</b> |
| Orange        | <b>6</b> |
| Yellow        | <b>7</b> |
| Purple        | <b>8</b> |



NEMA L6-20P

| 20A model :  | Circuit Protection  |
|--|---------------------|
| DH16C13/4C19-20A-WSi/ <b>F</b> _L620/3B- <b>1</b>  | Resettable Fuse x 2 |
| DH16C13/4C19-20A-WSi/ <b>CR</b> _L620/3B- <b>1</b> | 1-pole MCB x 2      |

- Input Rating : 20Amp, 208V
- Cordset : 10 feet UL SJT 12 AWG cordset x 2
- Protection : 20A resettable fuse or 20A hydraulic MCB x 2
- PDU I : Output 16A max., C13 #1-8 + C19 #C1-C2
- PDU II : Output 16A max., C13 #1-8 + C19 #C1-C2
- Weight : Net - lb / Gross - lb

Standard color : Black

- Operating Temperature : -5 to 60 °C
- Storage Temperature : -25 to 65 °C
- Operating Altitude : 0 to 2,000 m
- Storage Altitude : 0 to 15,000 m
- Humidity : 8 to 95% RH, non-condensing

### Meter Features ( WSi Switched PDU + Outlet Measurement )

- Local Display : Field replaceable 2" color LCD with touchscreen
- Bank Measurement : Current ( A ), Energy ( kWh ), Voltage ( V ) & Power factor
- Outlet Measurement : Current ( A ), Energy ( kWh )
- Outlet Control : Outlet Switch ON / OFF
- Accuracy : ±1% Billing-grade
- IP Access : via IP dongle, one IP Access up to 16 PDU Levels
- Cascade : Up to 16 PDU under single IP address via IP dongle
- SNMP : V2 / V3 via IP dongle
- Sensor Port x 2 : Temp. Sensor / Temp. + Humid. Sensor

- EMC Compliance : FCC Part 15 Subpart B certified
- Safety Compliance : cTUVus Mark to UL 60950-1:2007/R:2014-10  
CAN/CSA-C22.2 No. 60950-1:2007/A2:2014-10  
UL 62368-1:2014  
CAN/CSA-C22.2 No. 62368-1:2014  
UL 60730-1 Ed.5 (2016)
- Environment Compliance : RoHS2 & REACH
- Product Dimension : 17.2 (W) x 15 (D) x 3.5 (H) inch
- Packing dimension : 21.3 (W) x 21.3 (D) x 5.9 (H) inch

**AUSTIN HUGHES** Design. Manufacturing. Global Services.

The company reserves the right to modify product specifications without prior notice and assumes no responsibility for any error which may appear in this publication.

## Lockable IEC Outlet

- Patented design for InfraPower PDU



C13 Outlet



C19 Outlet

## Lockable IEC Cable

- Patented design of InfraPower PDU
- Low cost, easy to lock & secure
- Proprietary for lockable IEC outlet
- Applicable to standard IEC outlet
- 6 colors & 3 lengths available
- Custom color & length on request
- VDE & ENEC approval

### C13 - C14

H05VV-F 3G 0.75mm<sup>2</sup>

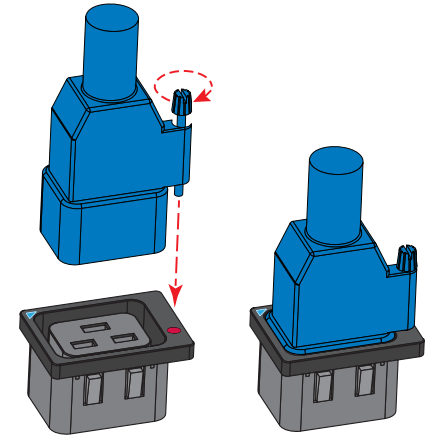
| Cable Color | 0.5M | 1M | 2M |
|-------------|------|----|----|
| Black       | ✓    | ✓  | ✓  |
| Grey        | ✓    | ✓  | ✓  |
| Red         | ✓    | ✓  | ✓  |
| Blue        | ✓    | ✓  | ✓  |
| Green       | ✓    | ✓  | ✓  |
| Orange      | ✓    | ✓  | ✓  |



### C19 - C20

H05VV-F 3G 1.5mm<sup>2</sup>

| Cable Color | 1M | 2M |
|-------------|----|----|
| Black       | ✓  | ✓  |
| Grey        | ✓  | ✓  |
| Red         | ✓  | ✓  |
| Blue        | ✓  | ✓  |
| Green       | ✓  | ✓  |
| Orange      | ✓  | ✓  |



C13 - C14

lockable cable

C19 - C20

- ✓ low cost
- ✓ easy to lock
- ✓ secure

